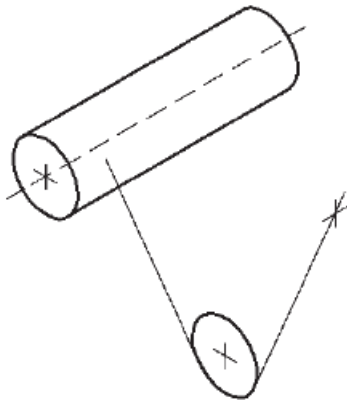


ABUS wire rope hoist selection table

ABUS wire rope hoist selection table for monorail hoists with twin trolleys, type U										
SWL kg	Reeving 4/1					Reeving 2/1				
	Type	FEM	ISO	Hook path m	V_{hoist} m/min	Type	FEM	ISO	Hook path m	V_{hoist} m/min
5000						GM 6050 GM 6050	3m 4m	M6 M7	12; 20; 30; 37 12; 20; 30; 37	16/2.6 12.5/2; 10/1.6; 8/1.3
6300						GM 6063 GM 6063	2m 3m	M5 M6	12; 20; 30; 37 12; 20; 30; 37	16/2.6 12.5/2; 10/1.6; 8/1.3
8000	GM 5080 GM 5080	3m 4m	M6 M7	6; 10; 15; 18.5 6; 10; 15; 18.5	8/1.3 8/1.3; 6.3/1; 5/0.8; 4/0.66	GM 6080 GM 6080	2m 3m	M5 M6	12; 20; 30; 37 12; 20; 30; 37	12.5/2 10/1.6; 8/1.3
10000	GM 5100 GM 6100 GM 6100	3m 3m 4m	M6 M6 M7	6; 10; 15; 18.5 6; 10; 15; 18.5 6; 10; 15; 18.5	8/1.3; 6.3/1; 5/0.8; 4/0.66 8/1.3 6.3/1; 5/0.8; 4/0.66	GM 6100 GM 7100	2m 3m	M5 M6	12; 20; 30; 37 16; 30; 45	10/1.6; 8/1.3 16/2.7; 12.5/2; 10/1.6; 8/1.3
12500	GM 5125 GM 5125 GM 6125 GM 6125	2m 3m 2m 3m	M5 M6 M5 M6	6; 10; 15; 18.5 6; 10; 15; 18.5 6; 10; 15; 18.5 6; 10; 15; 18.5	8/1.3 6.3/1; 5/0.8; 4/0.66 8/1.3 6.3/1; 5/0.8; 4/0.66	GM 6125 GM 7125 GM 7125	1Am 2m 3m	M4 M5 M6	12; 20; 30; 37 16; 30; 45 16; 30; 45	8/1.3 16/2.7 12.5/2; 10/1.6; 8/1.3
16000	GM 5160 GM 6160 GM 6160	2m 2m 3m	M5 M5 M6	6; 10; 15; 18.5 6; 10; 15; 18.5 6; 10; 15; 18.5	6.3/1; 5/0.8; 4/0.66 6.3/1 5/0.8; 4/0.66	GM 7160	2m	M5	16; 30; 45	12.5/2; 10/1.6; 8/1.3
20000	GM 5200 GM 6200	1Am 2m	M4 M5	6; 10; 15; 18.5 6; 10; 15; 18.5	5/0.8; 4/0.66 5/0.8; 4/0.66	GM 7200	1Am	M4	16; 30; 45	10/1.6; 8/1.3
25000	GM 6250	1Am	M4	6; 10; 15; 18.5	4/0.66					

Type 2/1 – E, D, U



Type 4/1 – E, D, U

