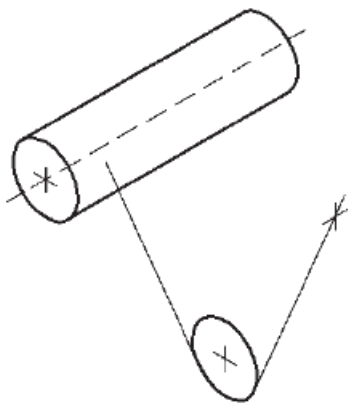


# ABUS wire rope hoist selection table

ABUS wire rope hoist selection table for monorail hoists, type E / type S										
SWL kg	Reeving 4/1					Reeving 2/1				
	Type	FEM	ISO	Hook path m	$V_{hoist}$ m/min	Type	FEM	ISO	Hook path m	$V_{hoist}$ m/min
1000	GM 810	4m	M7	6; 9	8/1.3; 6.3/1; 5/0.8; 4/0.66	GM 1010*	4m	M7	12; 18; 24	16/2.6; 12.5/2; 10/1.6; 8/1.3
1250	GM 812	4m	M7	6; 9	8/1.3; 6.3/1; 5/0.8; 4/0.66	GM 1012*	4m	M7	12; 18; 24	16/2.6; 12.5/2; 10/1.6; 8/1.3
1600	GM 816	4m	M7	6; 9	8/1.3; 6.3/1; 5/0.8; 4/0.66	GM 1016* GM 2016*	3m 3m	M6 M6	12; 18; 24 12; 18; 24	16/2.6; 12.5/2; 10/1.6; 8/1.3 16/2.6; 12.5/2; 10/1.6; 8/1.3
2000	GM 820 GM 820 GM 1020	3m 4m 4m	M6 M7 M7	6; 9 6; 9 6; 9	8/1.3; 6.3/1 8/1.3; 6.3/1; 5/0.8; 4/0.66 8/1.3; 6.3/1; 5/0.8; 4/0.66	GM 1020* GM 2020*	3m 3m	M6 M6	12; 18; 24 12; 18; 24	16/2.6; 12.5/2; 10/1.6; 8/1.3 16/2.6; 12.5/2; 10/1.6; 8/1.3
2500	GM 825 GM 825 GM 1025	2m 3m 4m	M5 M6 M7	6; 9 6; 9 6; 9	6.3/1 8/1.3; 6.3/1; 5/0.8; 4/0.66 8/1.3; 6.3/1; 5/0.8; 4/0.66	GM 1025* GM 2025* GM 3025	2m 2m 4m	M5 M5 M7	12; 18; 24 12; 18; 24 12; 20; 30*	12.5/2; 10/1.6; 8/1.3 16/2.6; 12.5/2; 10/1.6; 8/1.3 16/2.6; 12.5/2; 10/1.6; 8/1.3
3200	GM 832 GM 1032 GM 2032	2m 3m 3m	M5 M6 M6	6; 9 6; 9 6; 9	6.3/1; 5/0.8; 4/0.66 8/1.3; 6.3/1; 5/0.8; 4/0.66 8/1.3; 6.3/1; 5/0.8; 4/0.66	GM 2032* GM 3032 GM 3032	1Am 3m 4m	M4 M6 M7	12; 18; 24 12; 20; 30* 12; 20; 30*	12.5/2; 10/1.6; 8/1.3 12.5/2; 10/1.6 16/2.6; 12.5/2; 10/1.6; 8/1.3
4000	GM 1040 GM 2040 GM 3040	3m 3m 4m	M6 M6 M7	6; 9 6; 9 6; 10; 15	8/1.3; 6.3/1; 5/0.8; 4/0.66 8/1.3; 6.3/1; 5/0.8; 4/0.66 8/1.3; 6.3/1; 5/0.8; 4/0.66	GM 3040 GM 3040 GM 5040* GM 5040*	2m 3m 3m 4m	M5 M6 M6 M7	12; 20; 30* 12; 20; 30* 12; 20; 30 12; 20; 30	10/1.6 16/2.6; 12.5/2; 10/1.6; 8/1.3 16/2.6 16/2.6; 12.5/2; 10/1.6; 8/1.3
5000	GM 1050 GM 2050 GM 3050	2m 2m 4m	M5 M5 M7	6; 9 6; 9 6; 10; 15	6.3/1; 5/0.8; 4/0.66 8/1.3; 6.3/1; 5/0.8; 4/0.66 8/1.3; 6.3/1; 5/0.8; 4/0.66	GM 3050 GM 5050* GM 6050* GM 6050*	2m 3m 3m 4m	M5 M6 M6 M7	12; 20; 30* 12; 20; 30 12; 20 12; 20	12.5/2; 10/1.6; 8/1.3 16/2.6; 12.5/2; 10/1.6; 8/1.3 16/2.6 12.5/2; 10/1.6; 8/1.3
6300	GM 2063 GM 3063 GM 3063	1Am 3m 4m	M4 M6 M7	6; 9 6; 10; 15 6; 10; 15	6.3/1; 5/0.8; 4/0.66 6.3/1; 5/0.8 8/1.3; 6.3/1; 5/0.8; 4/0.66	GM 3063* GM 5063* GM 5063* GM 6063* GM 6063*	1Am 2m 3m 2m 3m	M4 M5 M6 M5 M6	12; 20; 30 12; 20; 30 12; 20; 30 12; 20 12; 20	10/1.6; 8/1.3 16/2.6 12.5/2; 10/1.6; 8/1.3 16/2.6 12.5/2; 10/1.6; 8/1.3
8000	GM 3080 GM 3080	2m 3m	M5 M6	6; 10; 15 6; 10; 15	5/0.8 8/1.3; 6.3/1; 5/0.8; 4/0.66	GM 5080* GM 6080* GM 6080*	2m 2m 3m	M5 M5 M6	12; 20; 30 12; 20 12; 20	12.5/2; 10/1.6; 8/1.3 12.5/2 10/1.6; 8/1.3
10000	GM 3100 GM 5100	2m 3m	M5 M6	6; 10; 15 6; 10	6.3/1; 5/0.8; 4/0.66 8/1.3; 6.3/1; 5/0.8; 4/0.66	GM 5100* GM 6100*	1Am 2m	M4 M5	12; 20; 30 12; 20	10/1.6; 8/1.3 10/1.6; 8/1.3
12500	GM 3125* GM 5125*	1Am 2m	M4 M5	6; 10 6; 10	5/0.8; 4/0.66 8/1.3; 6.3/1; 5/0.8; 4/0.66	GM 6125*	1Am	M4	12	8/1.3
16000	GM 5160*	1Am	M4	6; 10	6.3/1; 5/0.8; 4/0.66					

\* not available  
with type S

Type 2/1 – E, D, U



Type 4/1 – E, D, U

